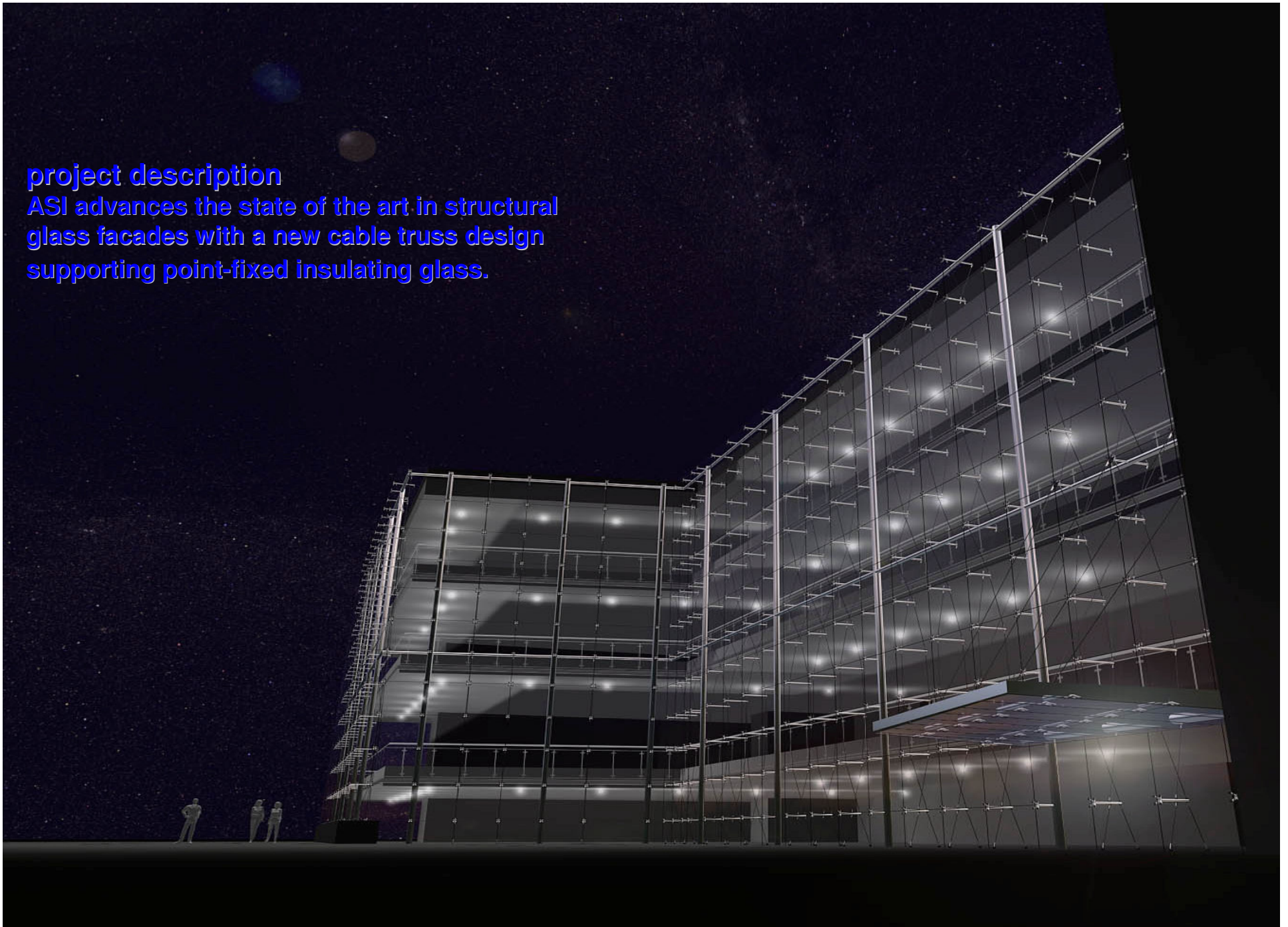


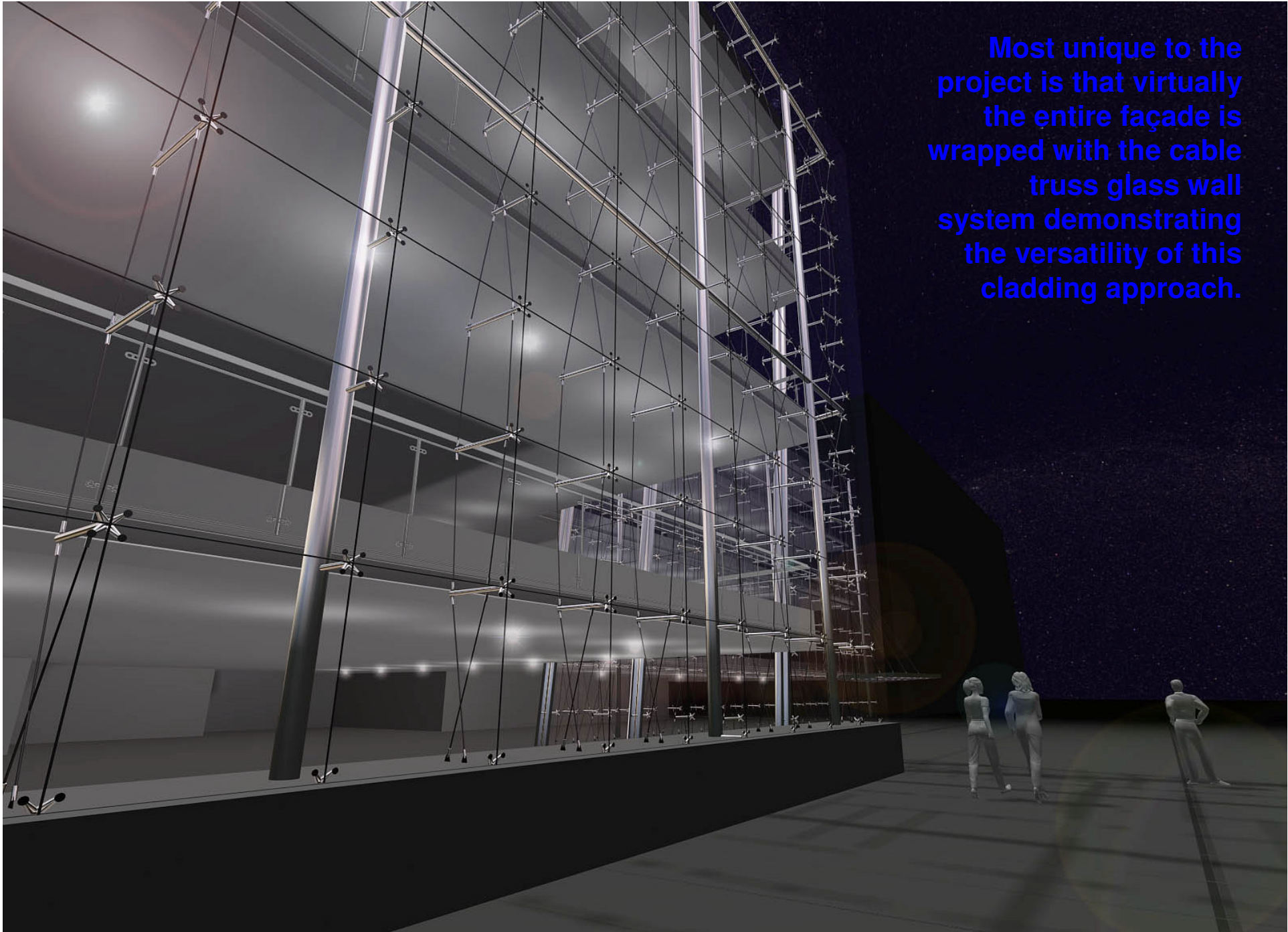
Harvard Medical School Cambridge, MA

Architect Architecture Resources Cambridge

project description

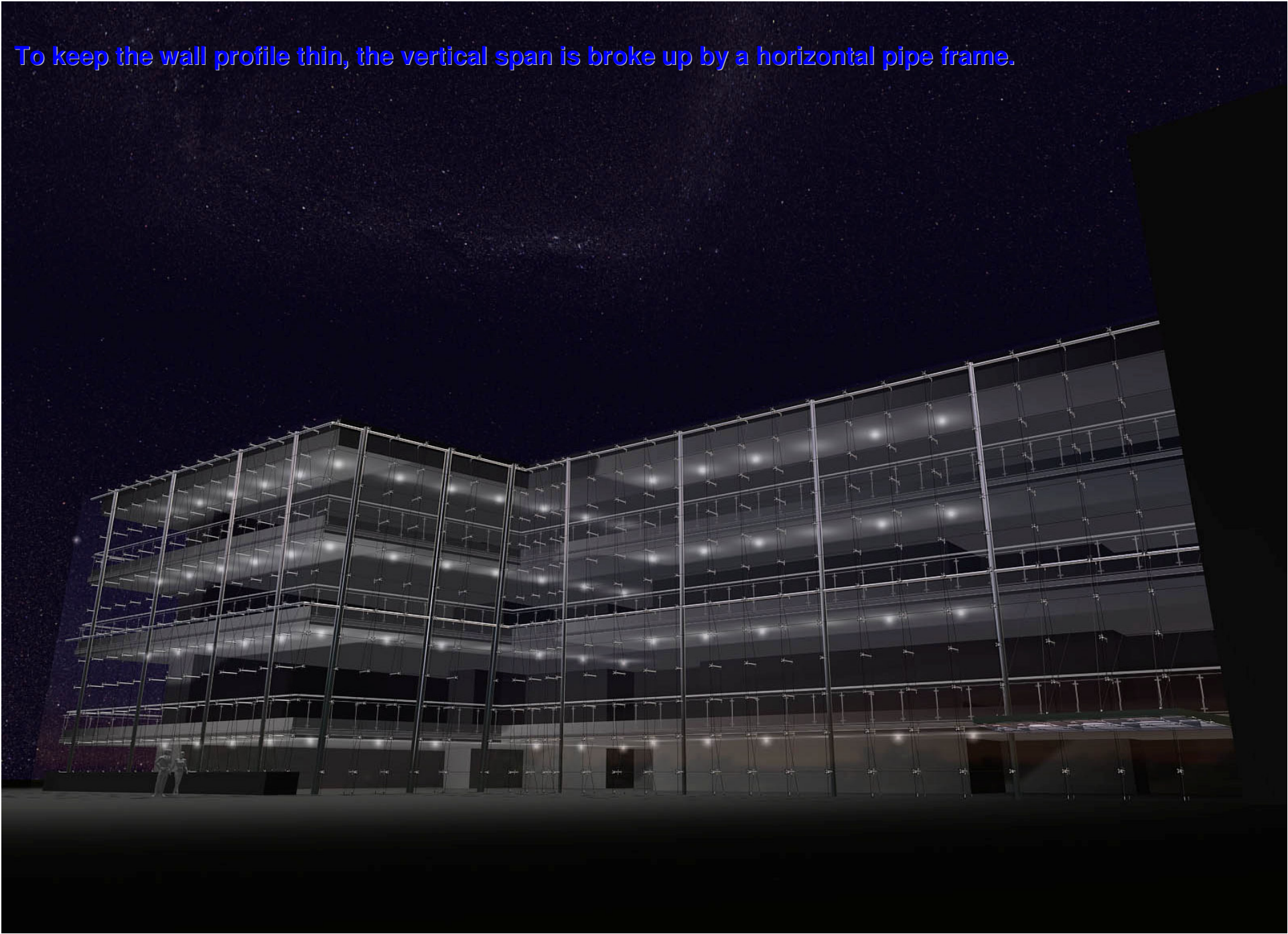
ASI advances the state of the art in structural glass facades with a new cable truss design supporting point-fixed insulating glass.

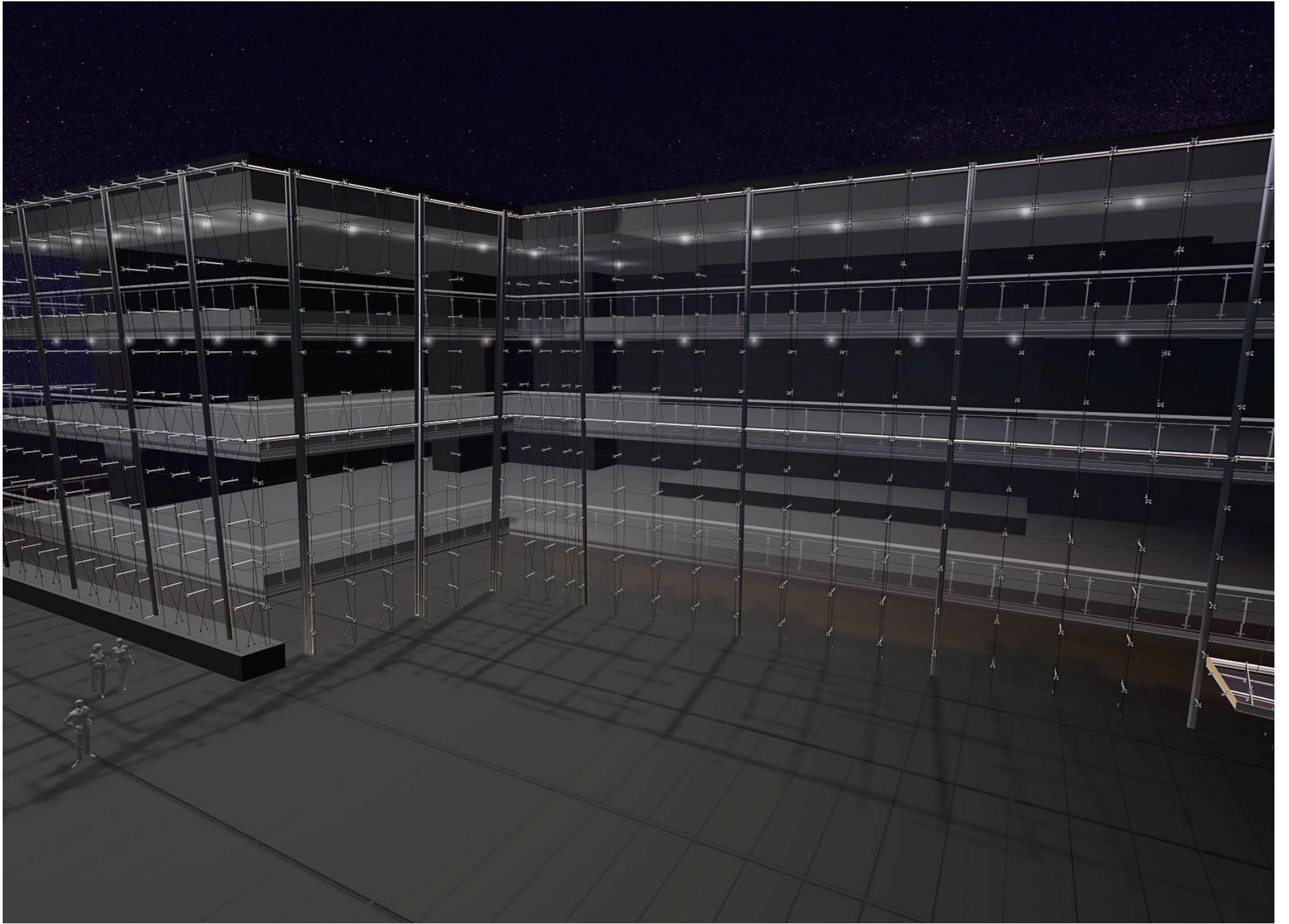




Most unique to the project is that virtually the entire façade is wrapped with the cable truss glass wall system demonstrating the versatility of this cladding approach.

To keep the wall profile thin, the vertical span is broke up by a horizontal pipe frame.





This document is the design basis for the project and is intended for the use of the contractor and subcontractors. It is not to be used for construction. The contractor shall be responsible for obtaining all necessary permits and approvals. The contractor shall be responsible for obtaining all necessary permits and approvals. The contractor shall be responsible for obtaining all necessary permits and approvals.

REVISIONS			
No.	Description	Date	By
0	FOR APPROVAL	7/20/01	RG
1	AS E COMMENTS	10/7/01	RG
2	A & E COMMENTS	2/20/02	LAL

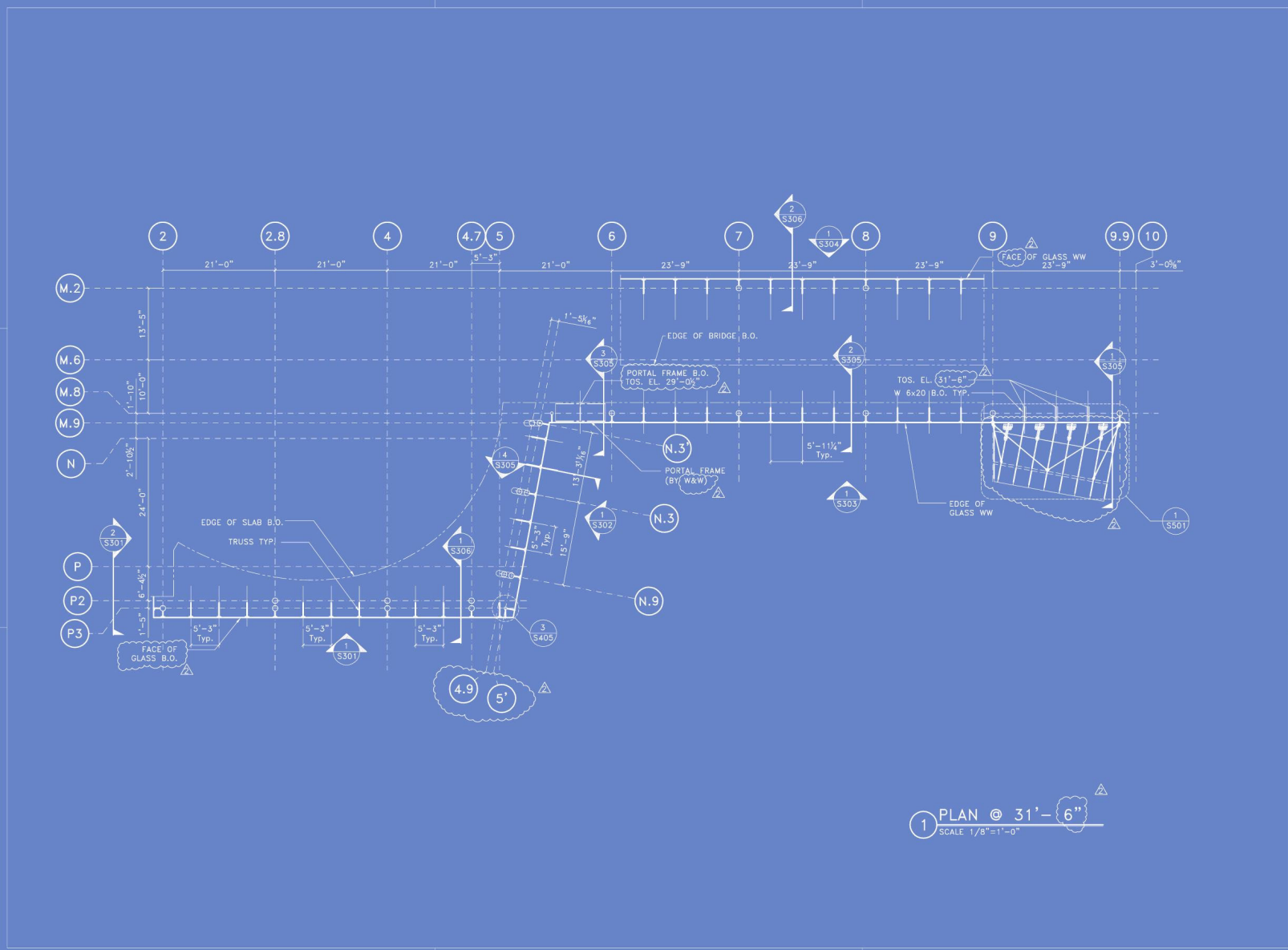
DRAWING STATUS: A - APPROVAL

ASi design
 Implementing Innovative Building Technology
 4034 GLENVIEW AVENUE, MARINA DEL REY, CA 90292
 TEL: 310.301.1994 FAX: 310.301.2064

Project Title: HARVARD MEDICAL SCHOOL GLASS WALL
 Drawing Title: PLAN
 Project No.: 2001-063

Designer/ Engineer	Dr. Engineer	Project Manager
S202	2	AS NOTED

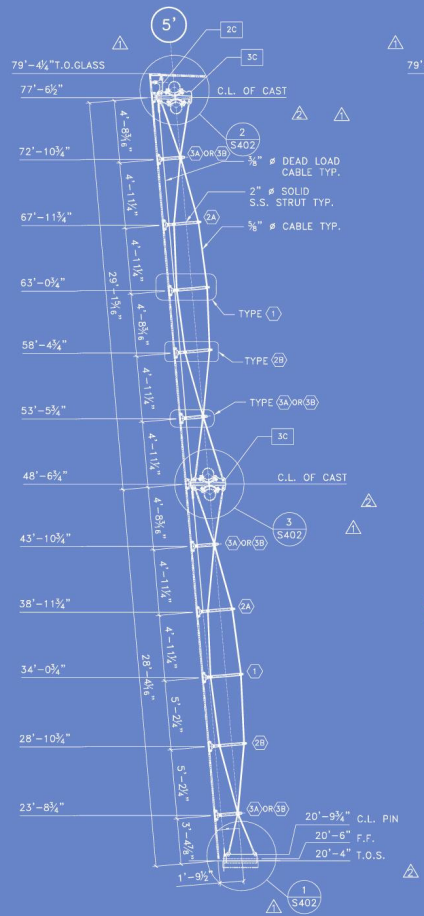
P:\2001\2001-063\Revise - 2001-063-02.dwg
 11/15/01 10:52 AM
 P:\2001\2001-063\Revise - 2001-063-02.dwg



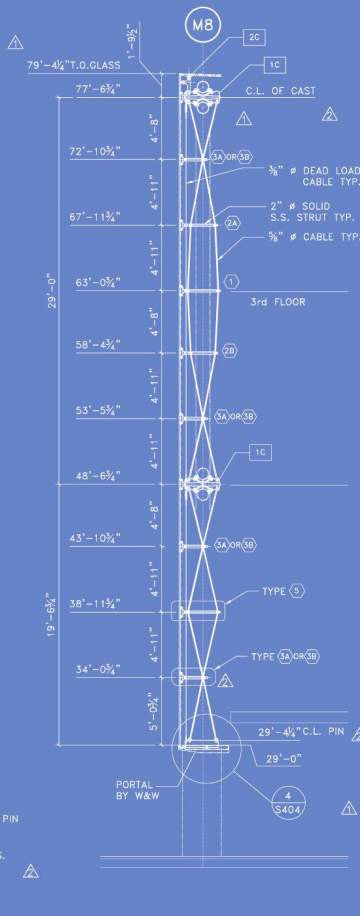
1 PLAN @ 31'-6"
 SCALE 1/8"=1'-0"

This document is the exclusive property of ASI design and is not to be reproduced, stored in a retrieval system, or transmitted in any form or by any means, electronic, mechanical, photocopying, recording, or by any information storage and retrieval system, without the prior written permission of ASI design. ASI design shall not be held responsible for any errors and omissions that may appear hereon.

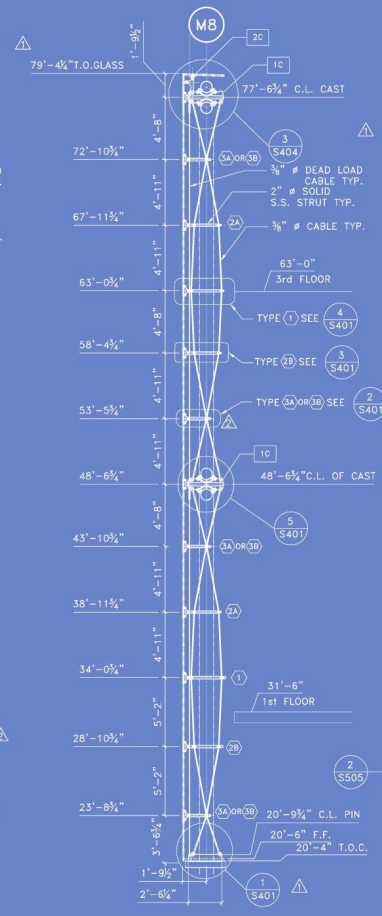
REVISIONS			
No.	DESCRIPTION	DATE	BY
0	FOR APPROVAL	7/30/08	RC
1	A/E COMMENTS	10/09/08	BG
2	A/E COMMENTS	2/10/09	RC
3	CLARIFICATION	2/20/09	JC



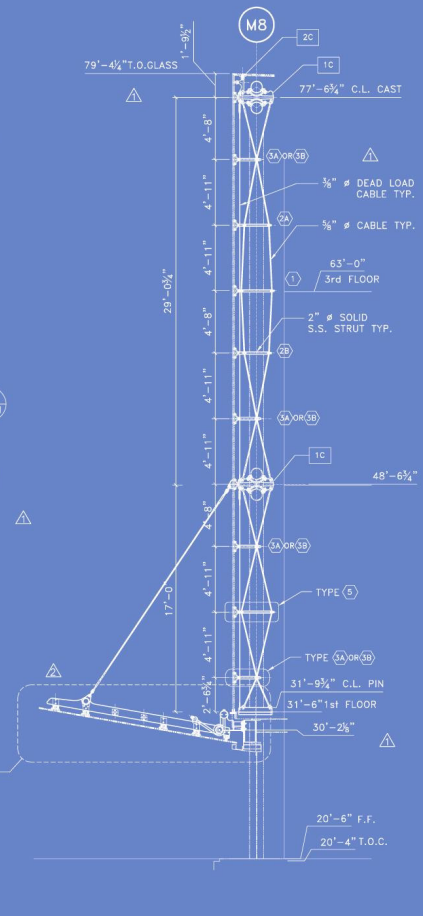
4 SECTION
1/4"=1'-0"



3 SECTION
1/4"=1'-0"



2 SECTION
1/4"=1'-0"



1 SECTION
1/4"=1'-0"



NOTE:
Elevations of CL horizontal pipe beams pending, due to undefined intumescent paint thickness

DRAWING STATUS: A-APPROVAL

ASI design
Implementing Innovative Building Technology
1030 GLENVIEW AVENUE, MARINA DEL REY, CA 90292
Tel: 310.301.1994 Fax: 310.301.2054

Project Title: HARVARD MEDICAL SCHOOL GLASS WALL
Drawing Title: SECTIONS
Project No: 2001-063

Designer/ Engineer	Sr. Engineer	Project Manager
Sheet No. S305	Revised No. 3	AS NOTED

10/10/2008 10:58:58 AM
 C:\Users\jrc\Documents\2001-063\2001-063-SECTION.dwg
 PLOT: 10/10/2008 10:58:58 AM





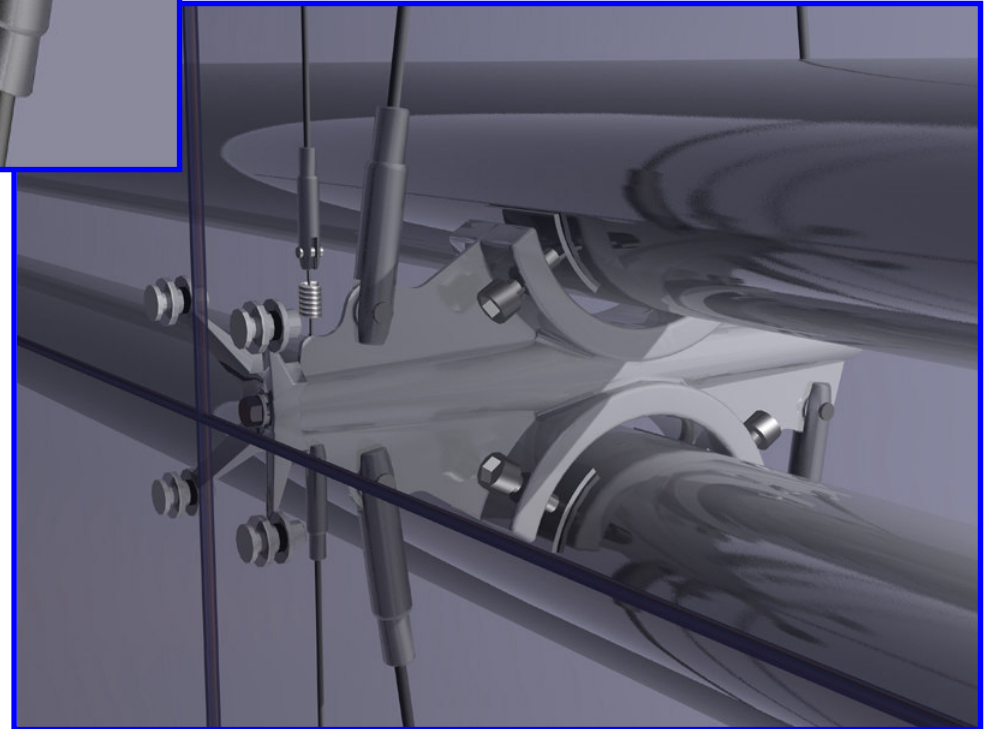
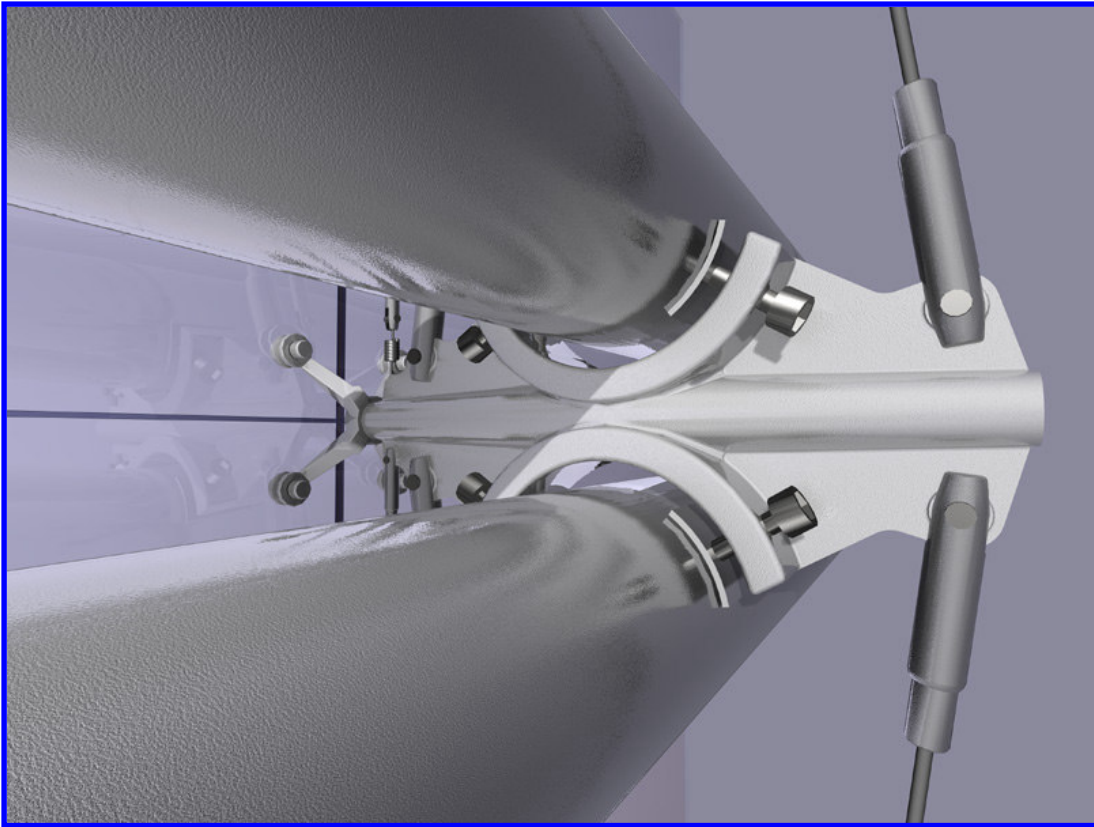






The system also incorporates a custom 155lb ductile iron casting tested to three times its design load, which will clamp the tension truss to the supporting steel.

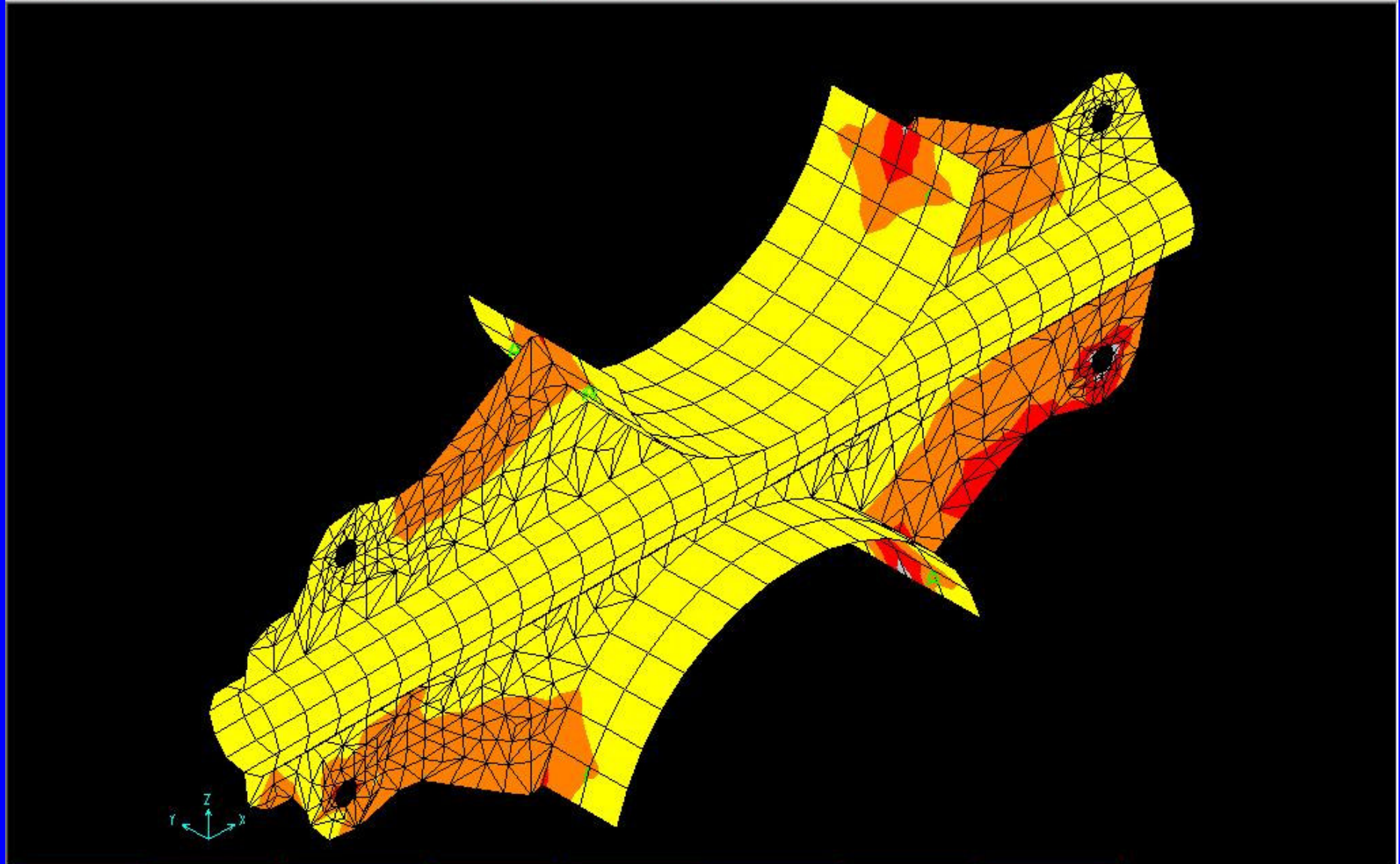




SAP2000 - sap003 - [Stress SYM Diagram (LOAD4)]

File Edit View Define Draw Select Assign Analyze Display Design Options Help

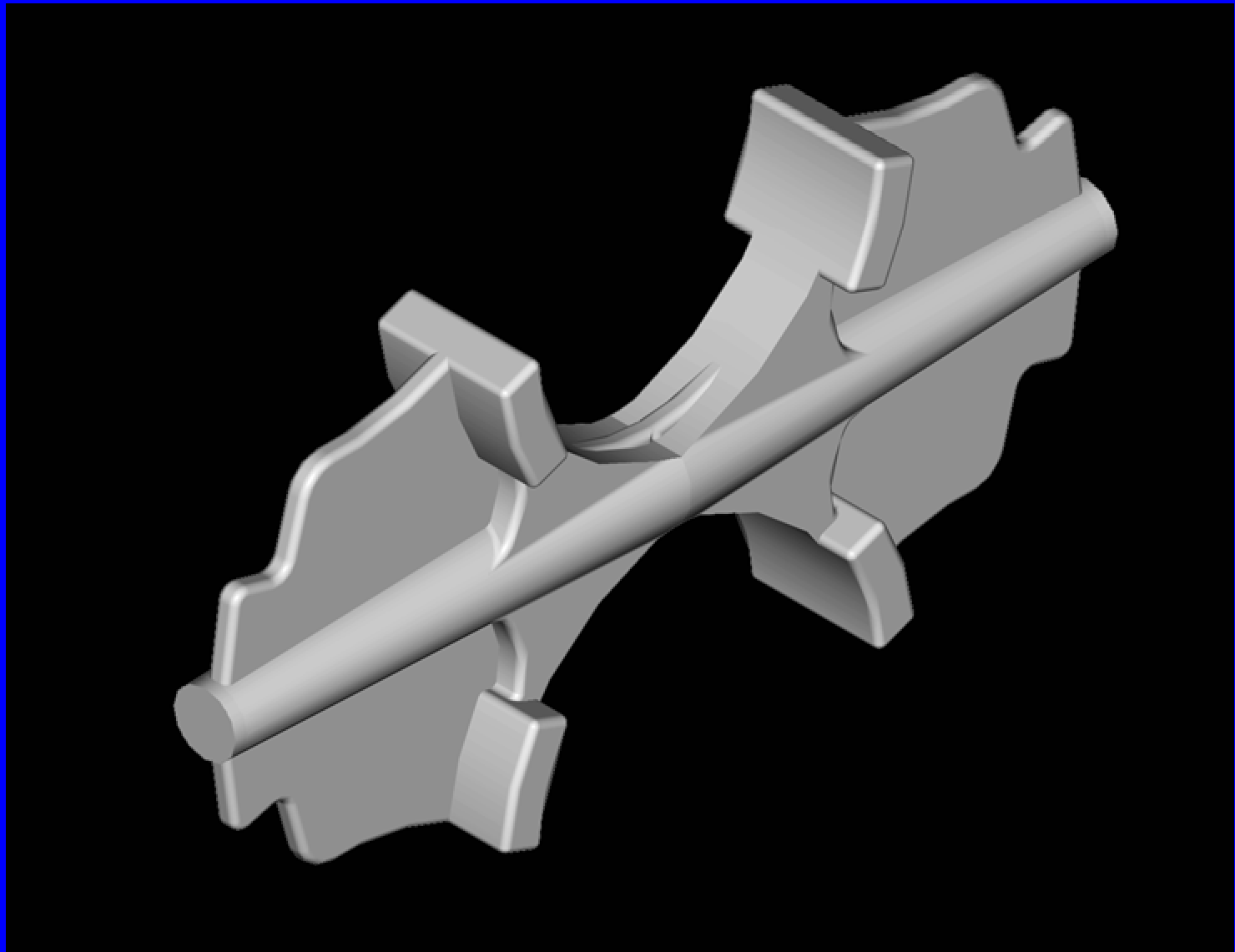
3-d xy xz yz 60°

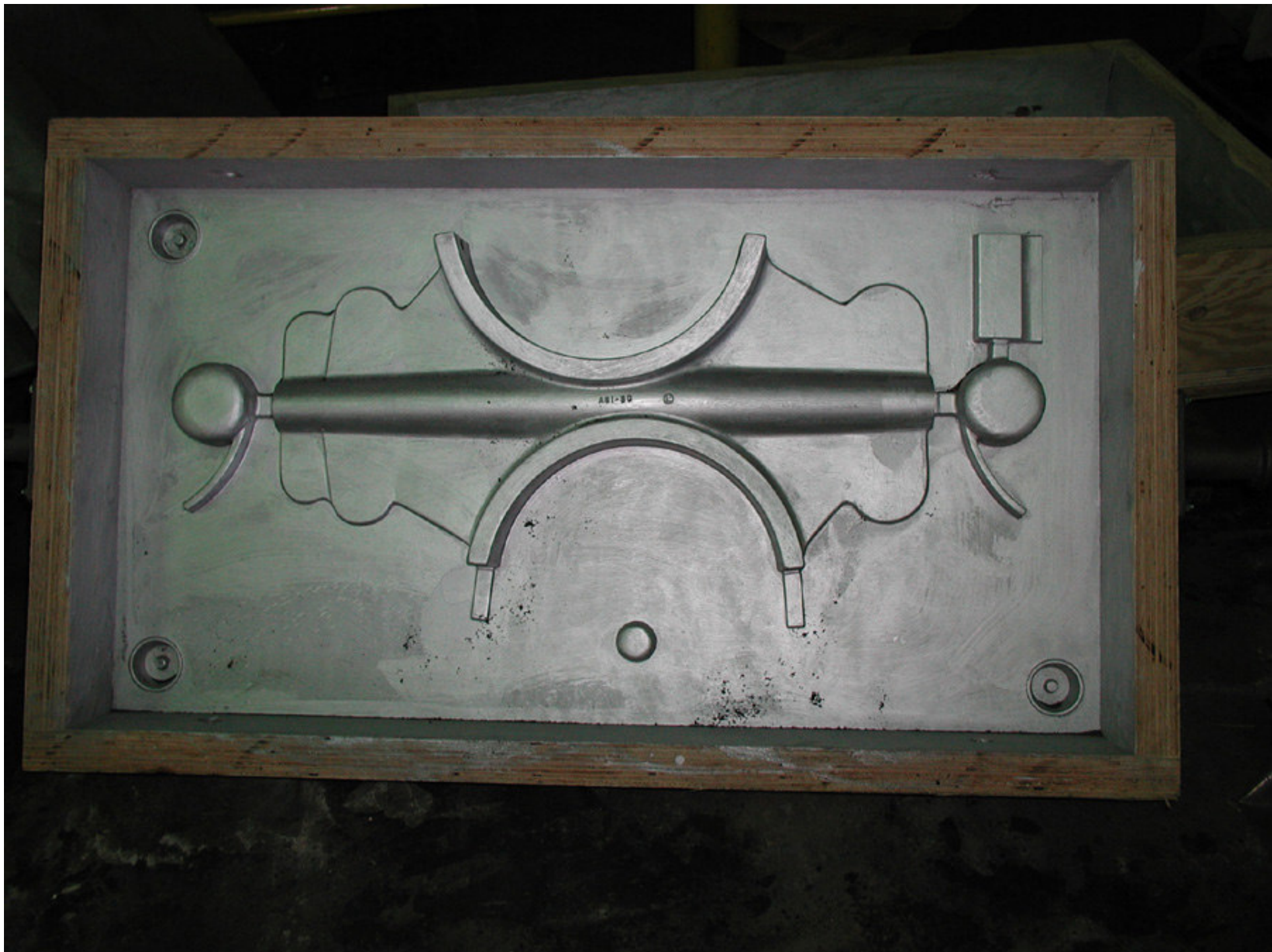


Right Click on any Shell Element for detailed diagram

Kip-in

Start | [Taskbar icons] | SAP2000 - sap003 - [...] | 1:21 PM





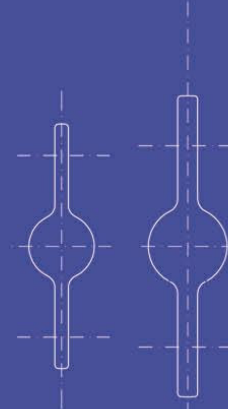
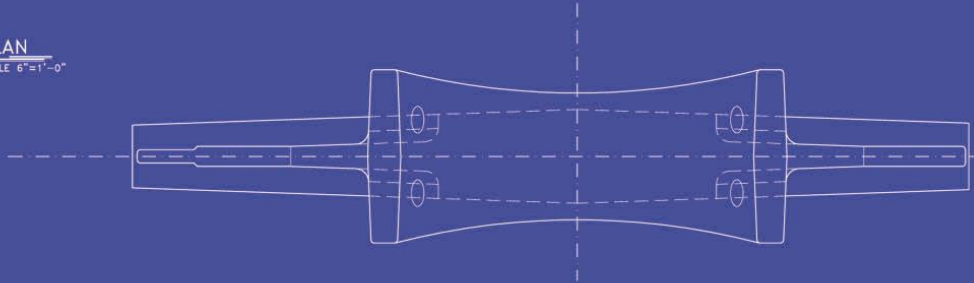








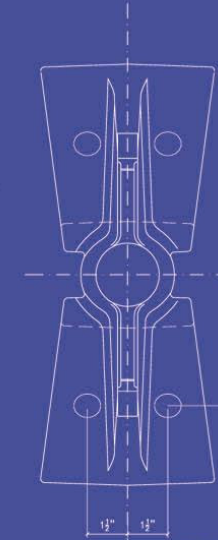
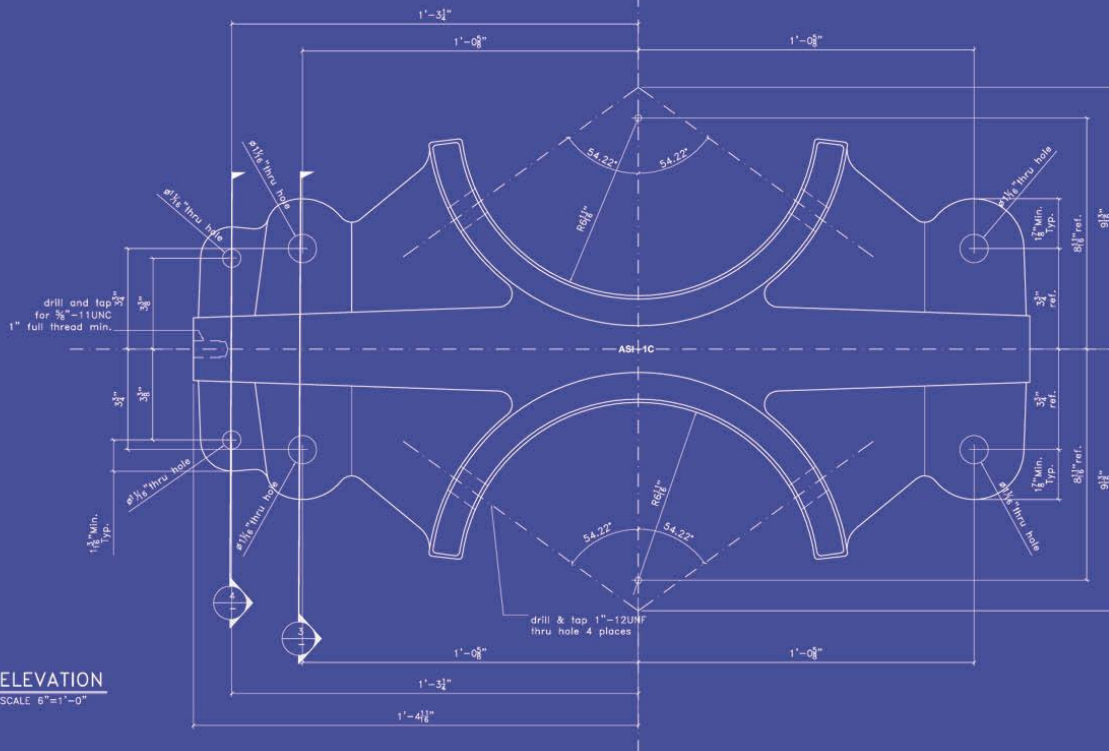
5 PLAN
SCALE 6"=1'-0"



4 SECTION
SCALE 6"=1'-0"

3 SECTION
SCALE 6"=1'-0"

2 ELEVATION
SCALE 6"=1'-0"



1 ELEVATION
SCALE 6"=1'-0"

This document and the disclosures therein are submitted with the mutual understanding and agreement that the recipient will not disclose the herein to others, nor reproduce, copy, manufacture using this document or the information contained herein, without prior written authorization by ASI design. All rights in this document and the drawings and fabrication specifications herein are the exclusive and confidential property of ASI design. ASI design will be responsible for any errors and/or work that occurs from the use of these drawings by other parties.

BILL OF MATERIALS					
MARK	QTY.	DESCRIPTION	SIZE		NOTES
			PT.	PL.	
ASI-1C	65	Bracket ~ 150 lb			60-40-18 DI

FIELD BOLTS			
BOLTS	QTY.	BOLTS	QTY.

REV. RECORD			
REV.	DATE	QTY.	DESCRIPTION

DRAWING STATUS: F-FABRICATION

ASI design
 Implementing Innovative Building Technology
 4504 GLENCOE AVENUE, MARINA DEL REY, CA 90292
 Tel: 310.301.1984 Fax: 310.301.2584

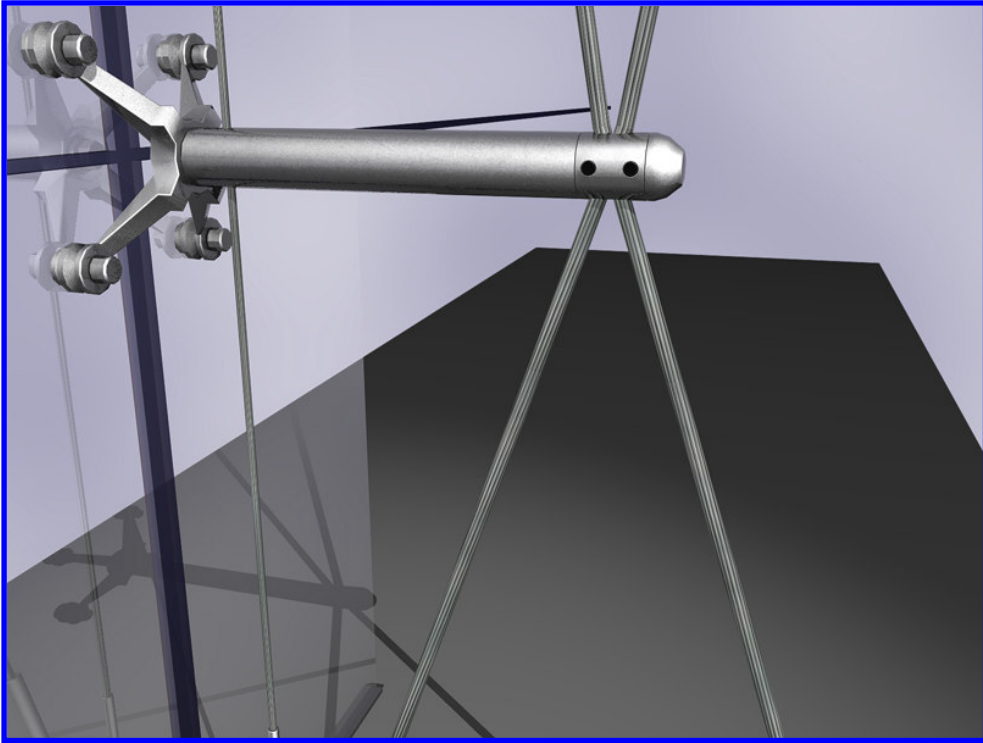
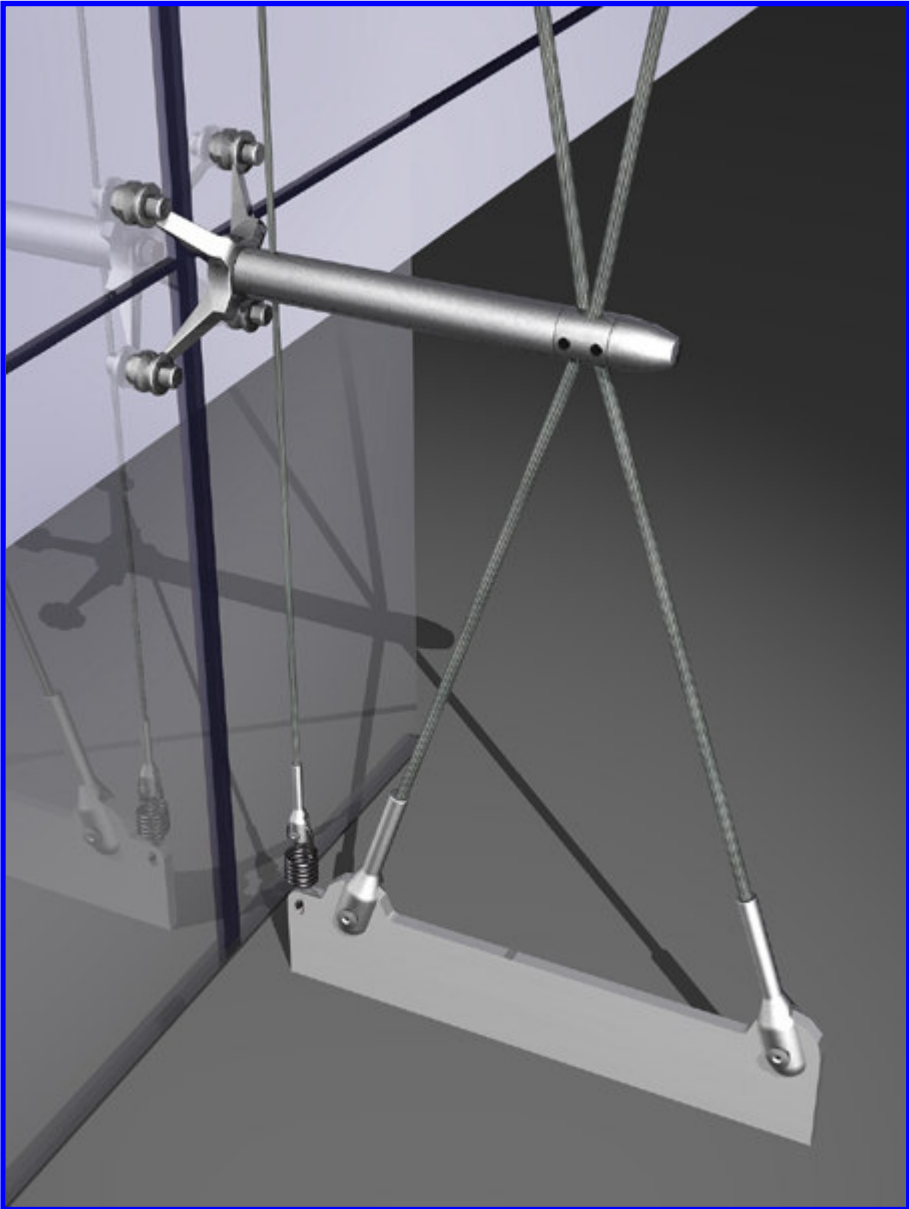
Project Name: **Harvard Medical School**
 Location: **CAST BRACKET**
 Cont: **MACHINING**
 Eng. or Arch.: **ASI**
 Proj. No.: **2001-063** Shop Order:
 Fabric: **CAST BRACKET**
 Mat. No.: **ASI-S401/S402** Qty. No.: **1M** Rev. No.: **0**

Rev. No. 001, 002, 003, 004, 005, 006, 007, 008, 009, 010, 011, 012, 013, 014, 015, 016, 017, 018, 019, 020, 021, 022, 023, 024, 025, 026, 027, 028, 029, 030, 031, 032, 033, 034, 035, 036, 037, 038, 039, 040, 041, 042, 043, 044, 045, 046, 047, 048, 049, 050, 051, 052, 053, 054, 055, 056, 057, 058, 059, 060, 061, 062, 063, 064, 065, 066, 067, 068, 069, 070, 071, 072, 073, 074, 075, 076, 077, 078, 079, 080, 081, 082, 083, 084, 085, 086, 087, 088, 089, 090, 091, 092, 093, 094, 095, 096, 097, 098, 099, 100, 101, 102, 103, 104, 105, 106, 107, 108, 109, 110, 111, 112, 113, 114, 115, 116, 117, 118, 119, 120, 121, 122, 123, 124, 125, 126, 127, 128, 129, 130, 131, 132, 133, 134, 135, 136, 137, 138, 139, 140, 141, 142, 143, 144, 145, 146, 147, 148, 149, 150, 151, 152, 153, 154, 155, 156, 157, 158, 159, 160, 161, 162, 163, 164, 165, 166, 167, 168, 169, 170, 171, 172, 173, 174, 175, 176, 177, 178, 179, 180, 181, 182, 183, 184, 185, 186, 187, 188, 189, 190, 191, 192, 193, 194, 195, 196, 197, 198, 199, 200, 201, 202, 203, 204, 205, 206, 207, 208, 209, 210, 211, 212, 213, 214, 215, 216, 217, 218, 219, 220, 221, 222, 223, 224, 225, 226, 227, 228, 229, 230, 231, 232, 233, 234, 235, 236, 237, 238, 239, 240, 241, 242, 243, 244, 245, 246, 247, 248, 249, 250, 251, 252, 253, 254, 255, 256, 257, 258, 259, 260, 261, 262, 263, 264, 265, 266, 267, 268, 269, 270, 271, 272, 273, 274, 275, 276, 277, 278, 279, 280, 281, 282, 283, 284, 285, 286, 287, 288, 289, 290, 291, 292, 293, 294, 295, 296, 297, 298, 299, 300, 301, 302, 303, 304, 305, 306, 307, 308, 309, 310, 311, 312, 313, 314, 315, 316, 317, 318, 319, 320, 321, 322, 323, 324, 325, 326, 327, 328, 329, 330, 331, 332, 333, 334, 335, 336, 337, 338, 339, 340, 341, 342, 343, 344, 345, 346, 347, 348, 349, 350, 351, 352, 353, 354, 355, 356, 357, 358, 359, 360, 361, 362, 363, 364, 365, 366, 367, 368, 369, 370, 371, 372, 373, 374, 375, 376, 377, 378, 379, 380, 381, 382, 383, 384, 385, 386, 387, 388, 389, 390, 391, 392, 393, 394, 395, 396, 397, 398, 399, 400, 401, 402, 403, 404, 405, 406, 407, 408, 409, 410, 411, 412, 413, 414, 415, 416, 417, 418, 419, 420, 421, 422, 423, 424, 425, 426, 427, 428, 429, 430, 431, 432, 433, 434, 435, 436, 437, 438, 439, 440, 441, 442, 443, 444, 445, 446, 447, 448, 449, 450, 451, 452, 453, 454, 455, 456, 457, 458, 459, 460, 461, 462, 463, 464, 465, 466, 467, 468, 469, 470, 471, 472, 473, 474, 475, 476, 477, 478, 479, 480, 481, 482, 483, 484, 485, 486, 487, 488, 489, 490, 491, 492, 493, 494, 495, 496, 497, 498, 499, 500, 501, 502, 503, 504, 505, 506, 507, 508, 509, 510, 511, 512, 513, 514, 515, 516, 517, 518, 519, 520, 521, 522, 523, 524, 525, 526, 527, 528, 529, 530, 531, 532, 533, 534, 535, 536, 537, 538, 539, 540, 541, 542, 543, 544, 545, 546, 547, 548, 549, 550, 551, 552, 553, 554, 555, 556, 557, 558, 559, 560, 561, 562, 563, 564, 565, 566, 567, 568, 569, 570, 571, 572, 573, 574, 575, 576, 577, 578, 579, 580, 581, 582, 583, 584, 585, 586, 587, 588, 589, 590, 591, 592, 593, 594, 595, 596, 597, 598, 599, 600, 601, 602, 603, 604, 605, 606, 607, 608, 609, 610, 611, 612, 613, 614, 615, 616, 617, 618, 619, 620, 621, 622, 623, 624, 625, 626, 627, 628, 629, 630, 631, 632, 633, 634, 635, 636, 637, 638, 639, 640, 641, 642, 643, 644, 645, 646, 647, 648, 649, 650, 651, 652, 653, 654, 655, 656, 657, 658, 659, 660, 661, 662, 663, 664, 665, 666, 667, 668, 669, 670, 671, 672, 673, 674, 675, 676, 677, 678, 679, 680, 681, 682, 683, 684, 685, 686, 687, 688, 689, 690, 691, 692, 693, 694, 695, 696, 697, 698, 699, 700, 701, 702, 703, 704, 705, 706, 707, 708, 709, 710, 711, 712, 713, 714, 715, 716, 717, 718, 719, 720, 721, 722, 723, 724, 725, 726, 727, 728, 729, 730, 731, 732, 733, 734, 735, 736, 737, 738, 739, 740, 741, 742, 743, 744, 745, 746, 747, 748, 749, 750, 751, 752, 753, 754, 755, 756, 757, 758, 759, 760, 761, 762, 763, 764, 765, 766, 767, 768, 769, 770, 771, 772, 773, 774, 775, 776, 777, 778, 779, 780, 781, 782, 783, 784, 785, 786, 787, 788, 789, 790, 791, 792, 793, 794, 795, 796, 797, 798, 799, 800, 801, 802, 803, 804, 805, 806, 807, 808, 809, 810, 811, 812, 813, 814, 815, 816, 817, 818, 819, 820, 821, 822, 823, 824, 825, 826, 827, 828, 829, 830, 831, 832, 833, 834, 835, 836, 837, 838, 839, 840, 841, 842, 843, 844, 845, 846, 847, 848, 849, 850, 851, 852, 853, 854, 855, 856, 857, 858, 859, 860, 861, 862, 863, 864, 865, 866, 867, 868, 869, 870, 871, 872, 873, 874, 875, 876, 877, 878, 879, 880, 881, 882, 883, 884, 885, 886, 887, 888, 889, 890, 891, 892, 893, 894, 895, 896, 897, 898, 899, 900, 901, 902, 903, 904, 905, 906, 907, 908, 909, 910, 911, 912, 913, 914, 915, 916, 917, 918, 919, 920, 921, 922, 923, 924, 925, 926, 927, 928, 929, 930, 931, 932, 933, 934, 935, 936, 937, 938, 939, 940, 941, 942, 943, 944, 945, 946, 947, 948, 949, 950, 951, 952, 953, 954, 955, 956, 957, 958, 959, 960, 961, 962, 963, 964, 965, 966, 967, 968, 969, 970, 971, 972, 973, 974, 975, 976, 977, 978, 979, 980, 981, 982, 983, 984, 985, 986, 987, 988, 989, 990, 991, 992, 993, 994, 995, 996, 997, 998, 999, 1000.

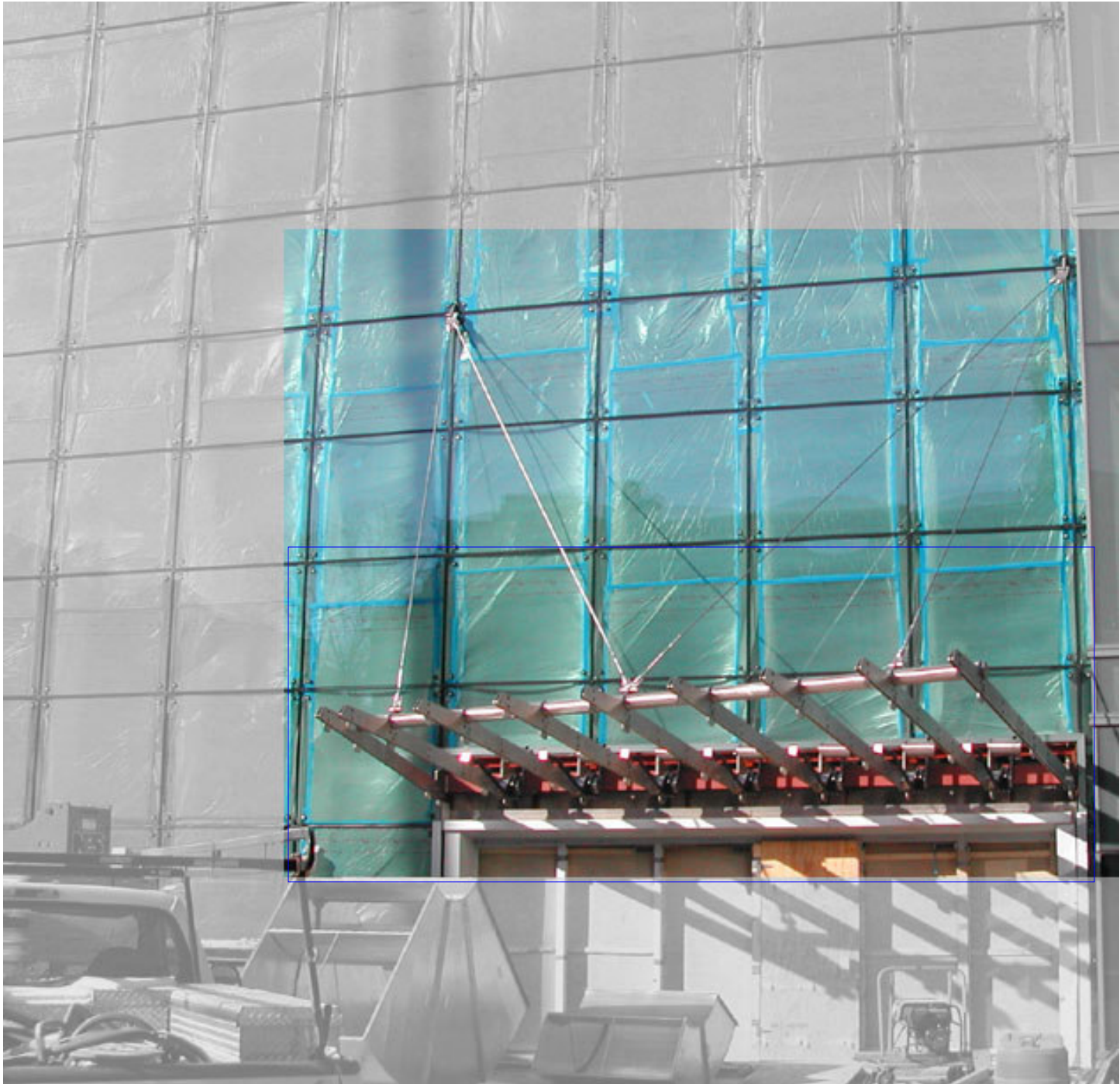


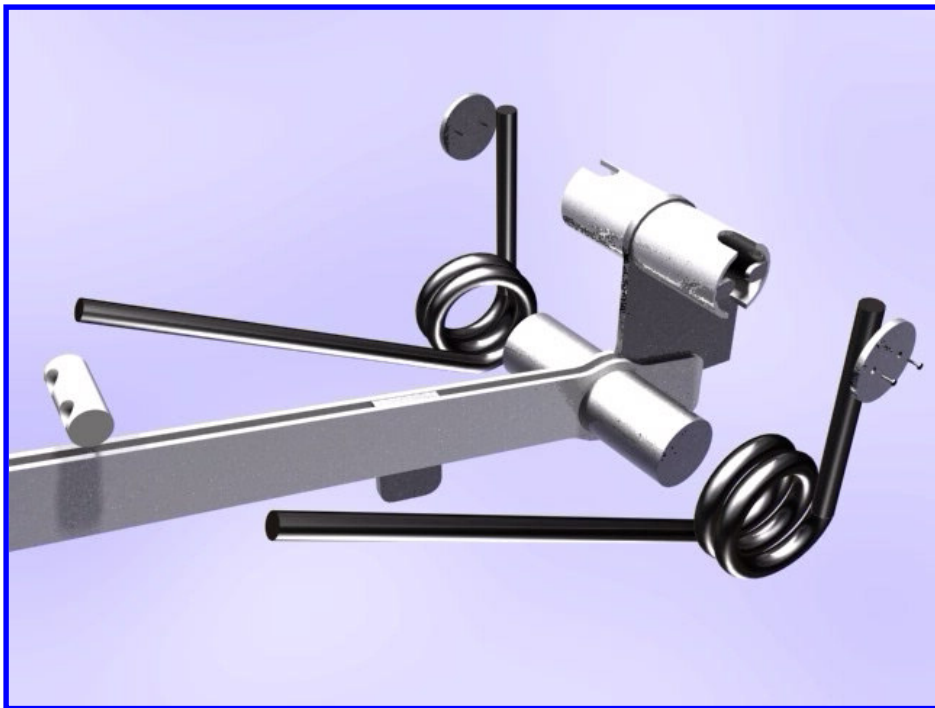
Play video 1 - Cast
Spreader

Cable trusses utilize spreaders of machined stainless steel as the only compression elements.









THANK YOU