

**AOL Time Warner Center Manhattan, NY**

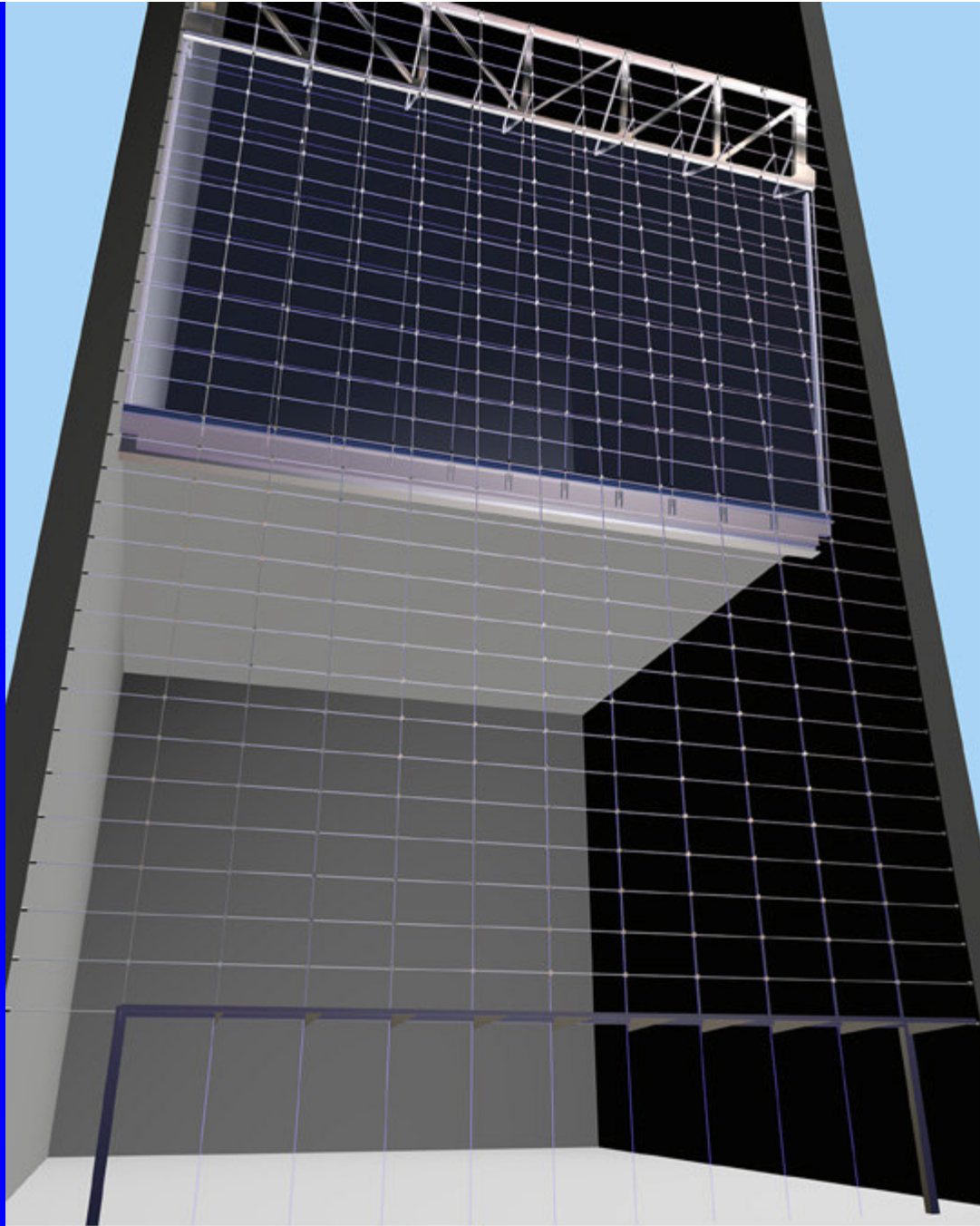
**Architect S.O.M. and James Carpenter**

### **Project description**

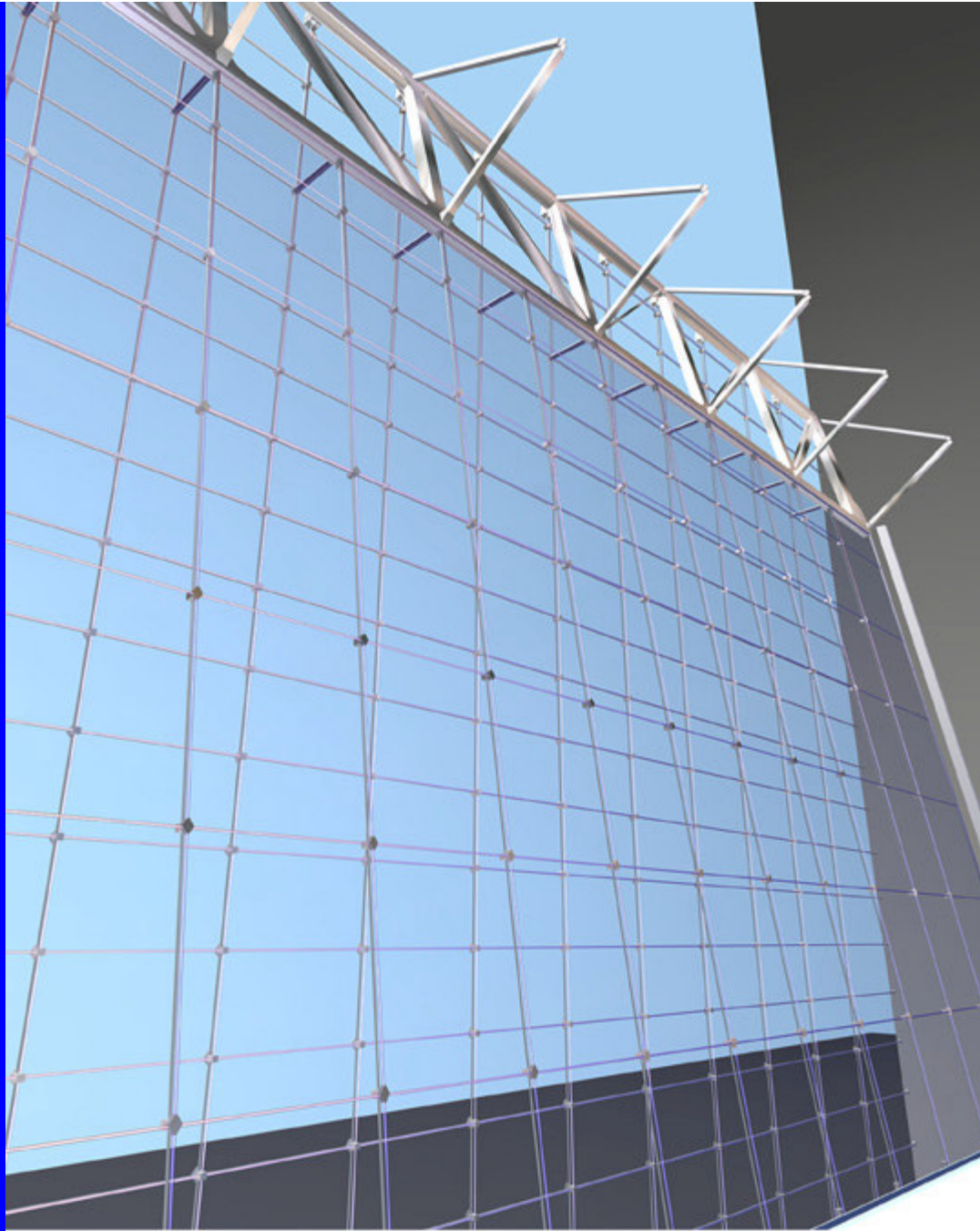
**This wall designed by James Carpenter spans 90 feet across and is 180 feet high.**

**An ancillary interior partition wall follows a catenary curve to enclose an upper level boardroom.**

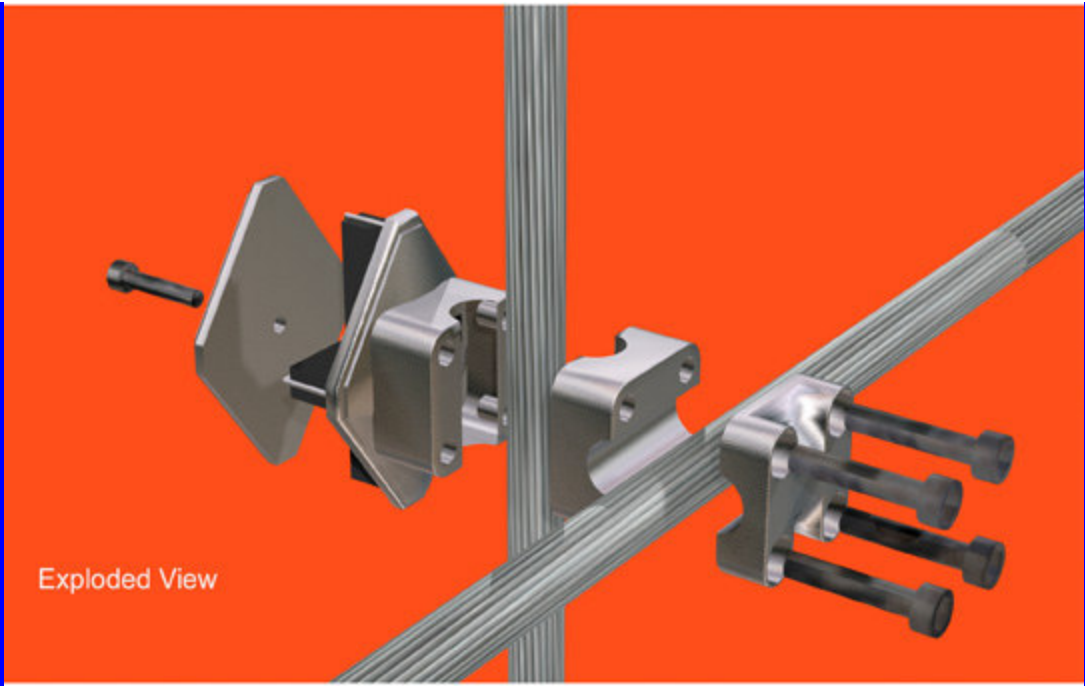




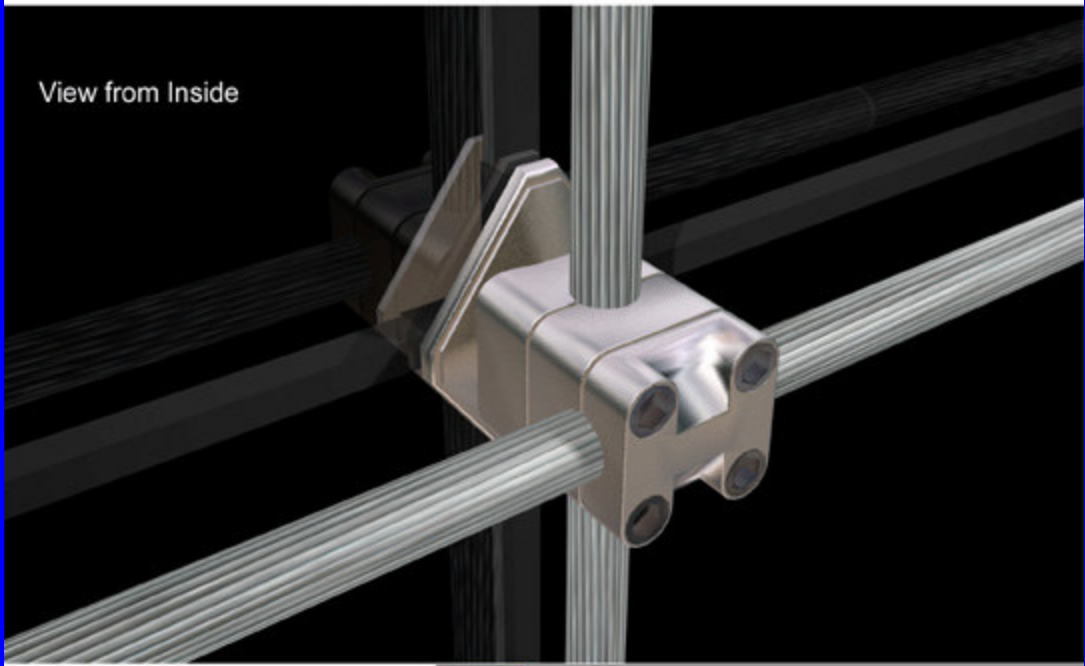
Proposal for: **Cable Net Glass Wall**  
**ASI** Advanced Structures Inc. and **W&W** Glass



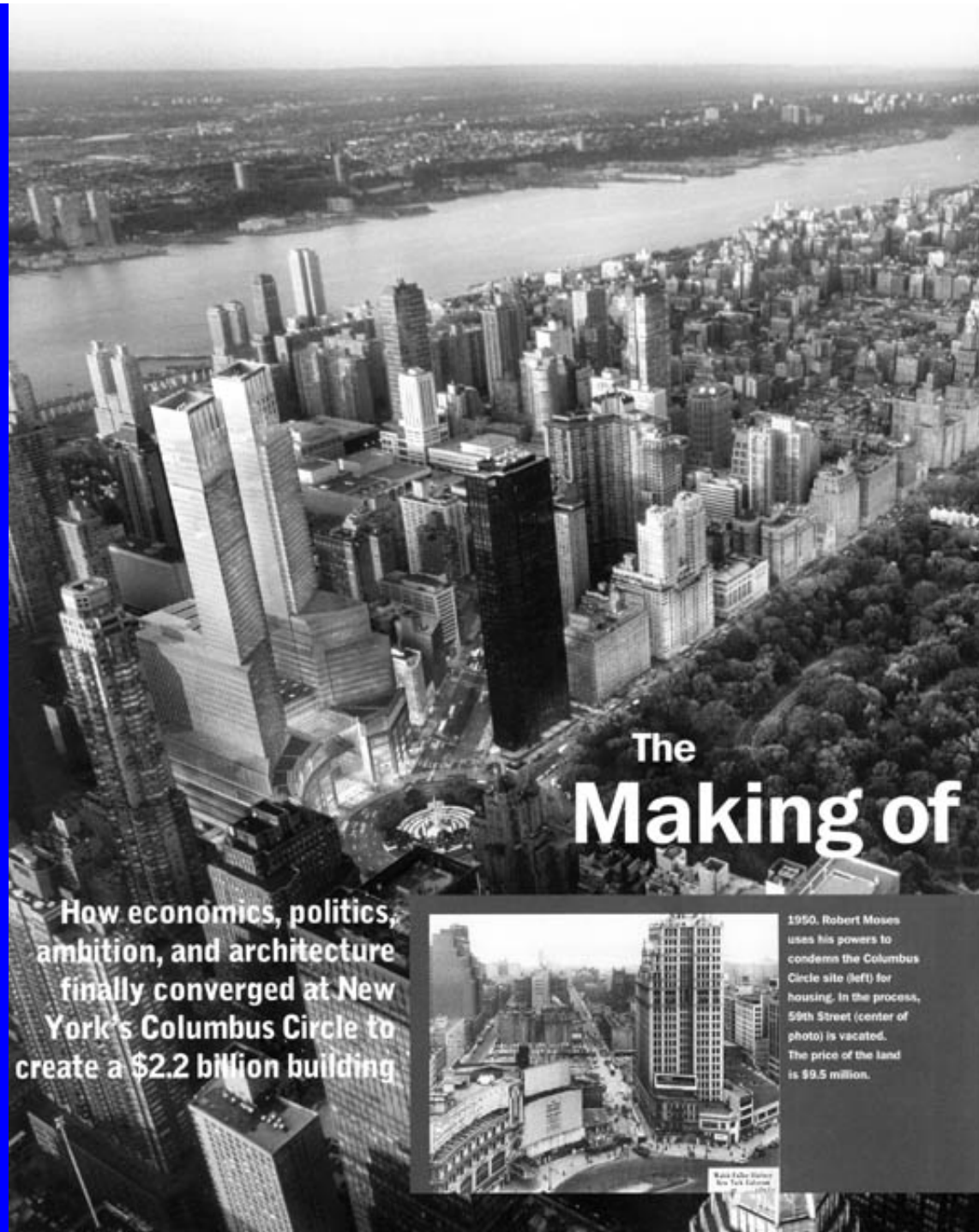
Proposal for: **Cable Net Glass Wall**  
**ASI** Advanced Structures Inc. and **W&W** Glass



Exploded View



View from Inside



# The Making of

How economics, politics, ambition, and architecture finally converged at New York's Columbus Circle to create a \$2.2 billion building



1950, Robert Moses uses his powers to condemn the Columbus Circle site (left) for housing. In the process, 59th Street (center of photo) is vacated. The price of the land is \$9.5 million.

Kate Fisher  
New York Tribune



# The Making of

How economics, politics, ambition, and architecture finally converged at New York's Columbus Circle to create a \$2.2 billion building



1950, Robert Moses uses his powers to condemn the Columbus Circle site (left) for housing. In the process, 59th Street (center of photo) is vacated. The price of the land is \$9.5 million.







2002. 1. 10



2002. 1. 10



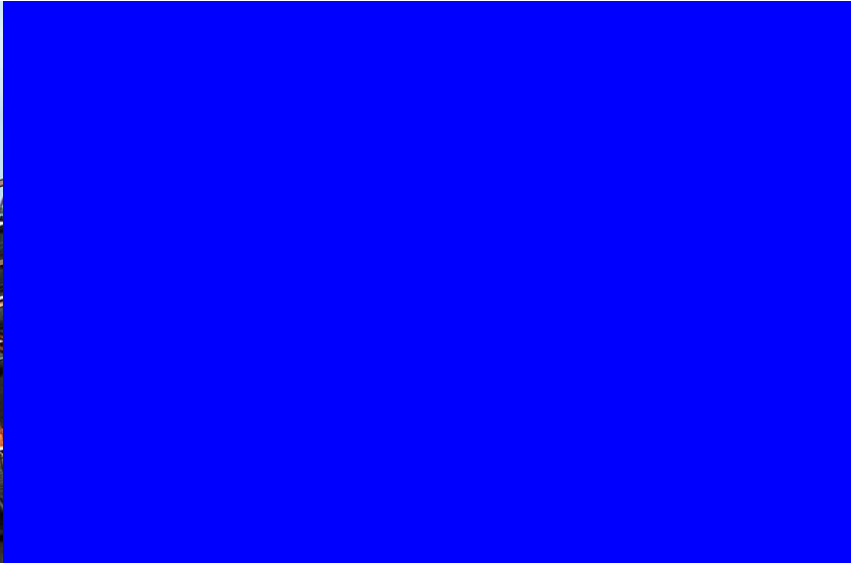
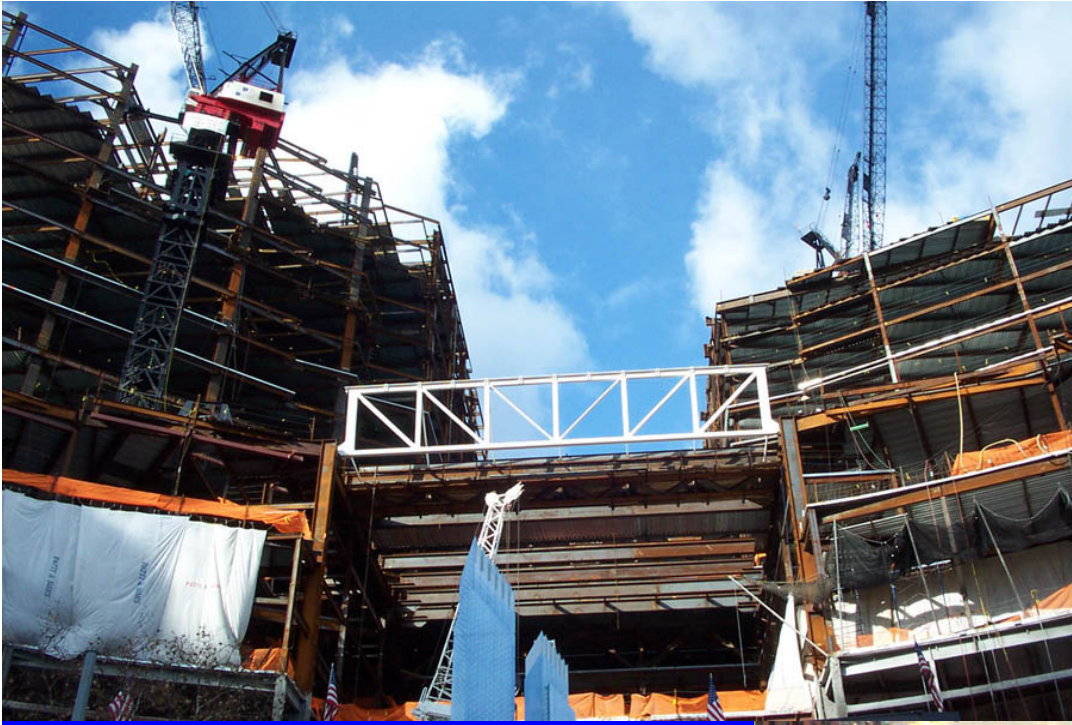
2000. 3. 1



2000. 3. 1

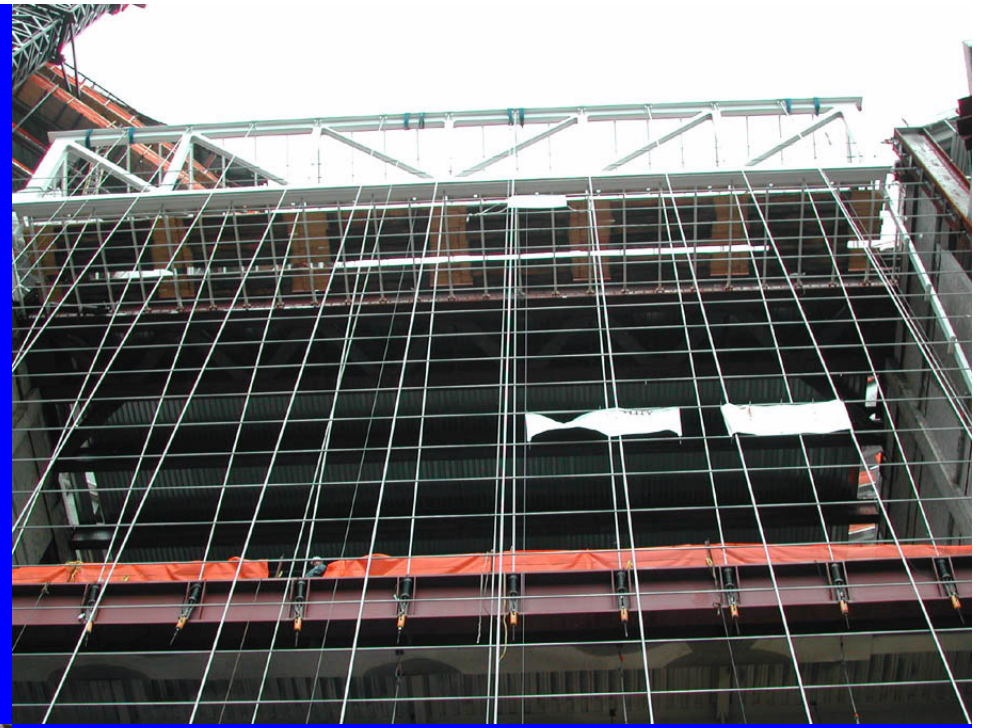
1  
ONE CENTRAL PARK  
New York's new  
landmark entertainment destination.  
212-957-0600  
www.onecentralpark.com

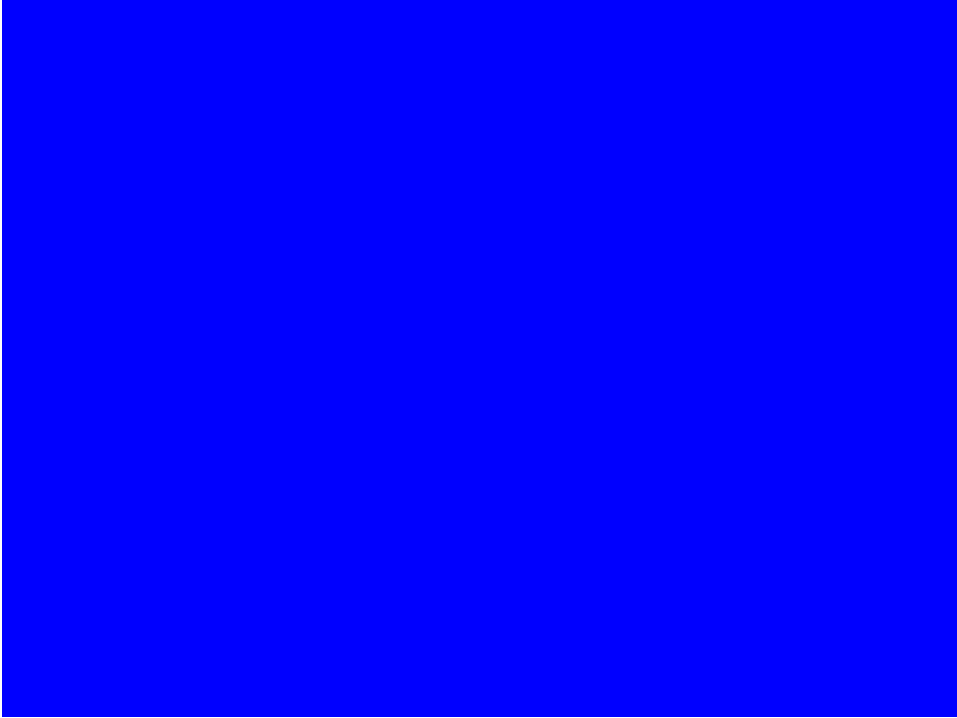
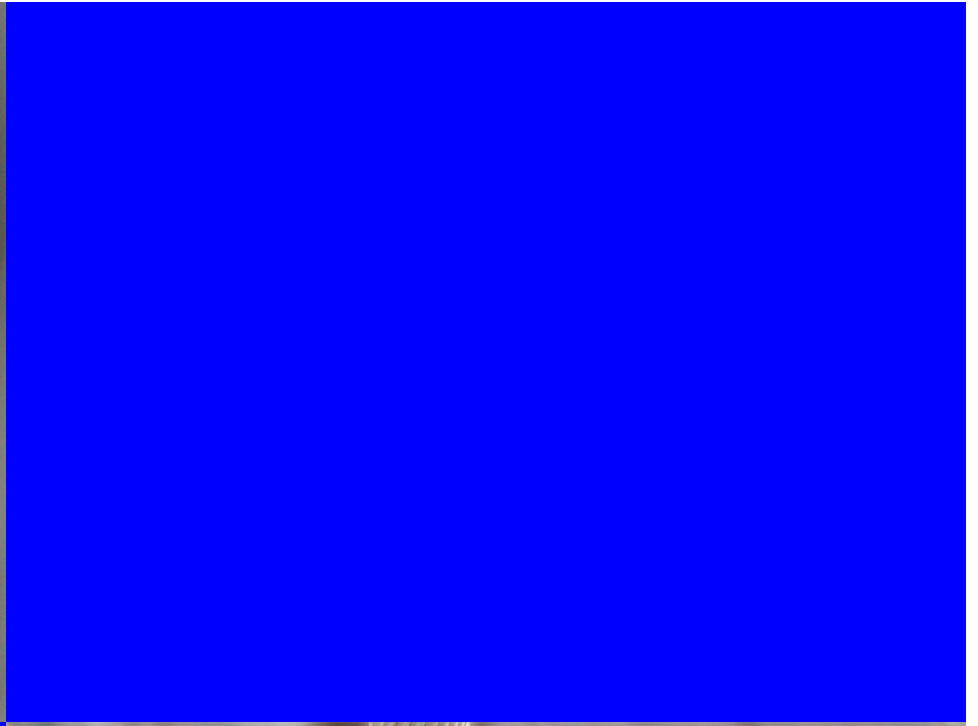
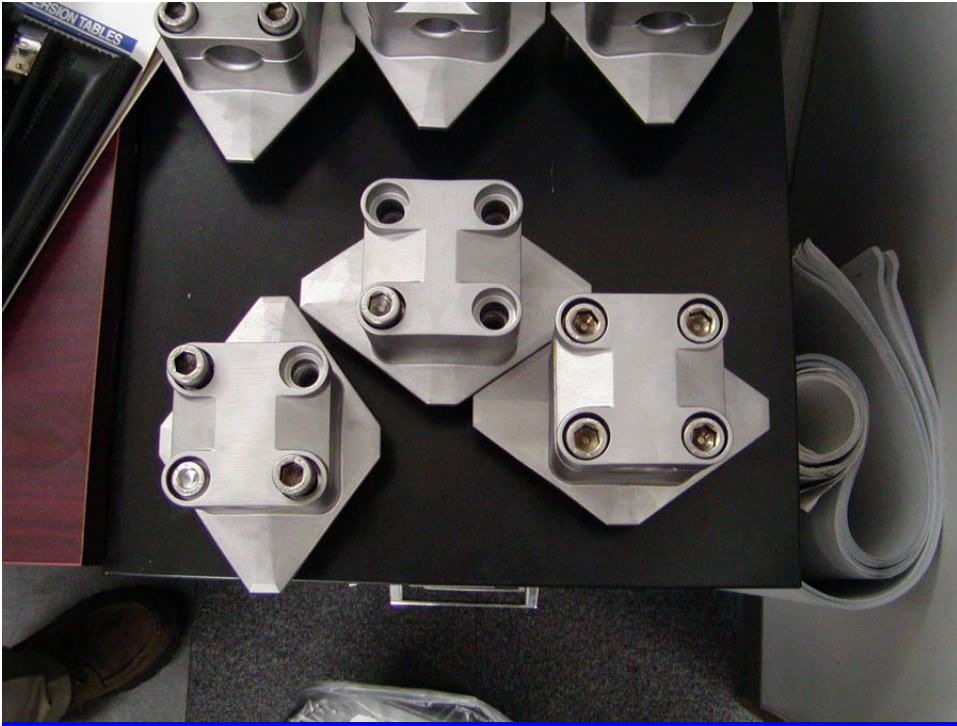
Center of everything ▶ AOL TIME WARNER CENTER The Center of everything ▶



**ASI developed special jacking technology to achieve the required pretension loading of the stainless steel cables.**

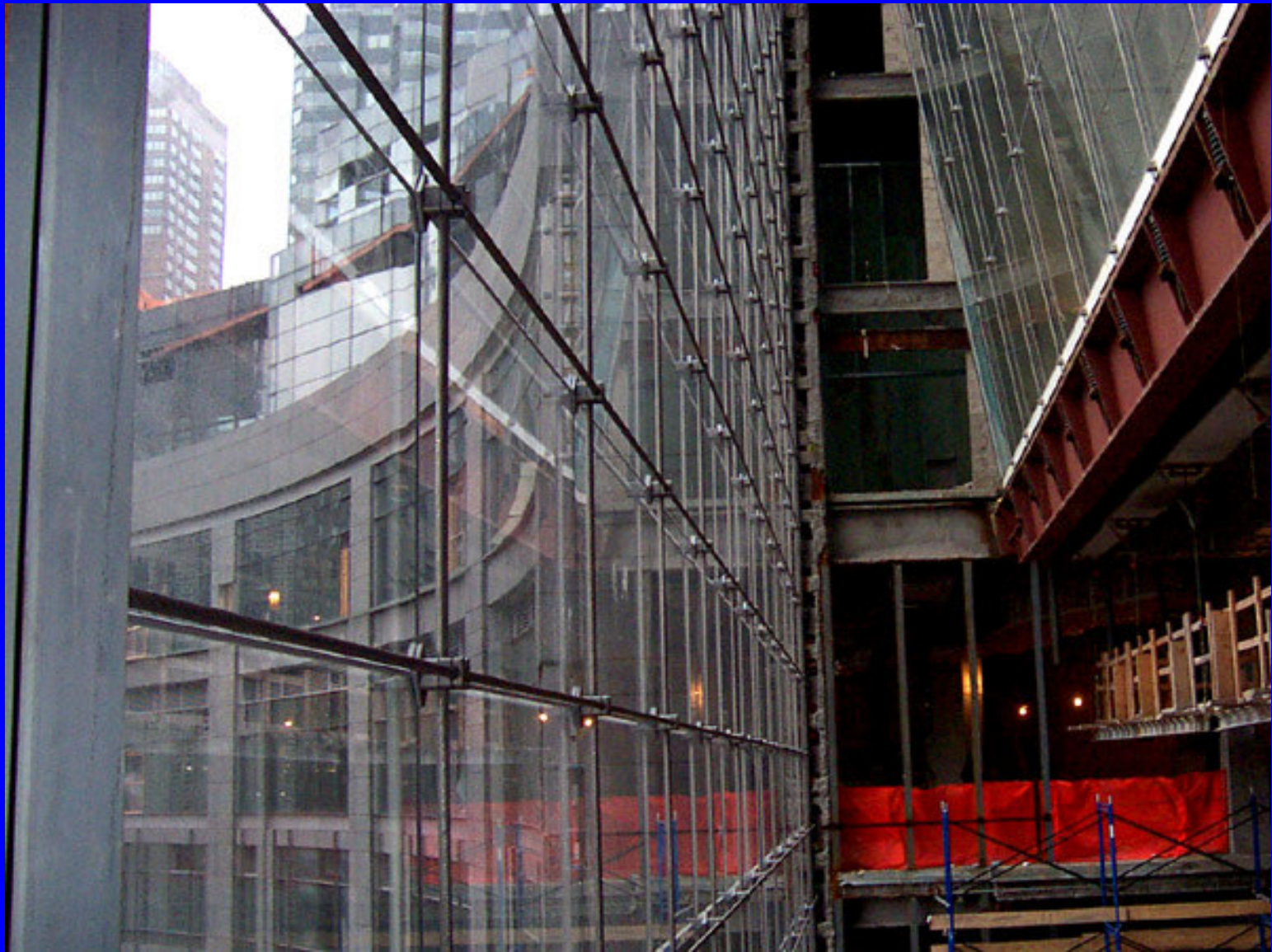
**ASI was the design/builder and engineer of record for this cable net structural system.**





















SOM | © Michael Amechi Photography

**THANK YOU**